

客户名称/CUSTOMER:

客户代码/CUSTOMER CODE:



# 承 认 书

## PRODUCT SPECIFICATION Multi-Purpose LCD TV Control Board

产品名称/DESCRIPTION: \_\_\_\_\_ 2660 V2.1

客户型号/CUSTOMER MODEL: \_\_\_\_\_

承制方型号/MANUFACTURER MODEL: \_\_\_\_\_ 2660 V2.1

日 期/DATE: \_\_\_\_\_ 2009/05/18

### 客户确认/CUSTOMER APPROVED

### 承制方确认/MANUFACTURER

采购部 PURCHING	品管部 QC	研发部 RD	签章

拟制 DRAWNG	审核 CHECHED	批准 RATIFY	签章

承 制 方: 深圳市鼎科实业有限公司

MANUFACTURER: Shen Zhen Top-Tech Industrial CO.LTD

地址: 深圳市南山区高新技术产业园中区 M-8 栋西座 3 楼

ADDRESS: 3/F,West of M-8 Building,High-Tech Industrial Park Central, Nanshan Shenzhen

电话/TELEPHONE: 0755-26742425, 26740460

传真/FAX: 0755-26740494

邮编/POST CODE: 518057

网址/Web: www.top-tech.com.cn



# 1. GENERAL DESCRIPTION

2660 V2.1 is a multi-purpose LCD controller, it is suitable inland market. It is designed to support dual/single LVDS and single TTL which 7-24 inch LCD panel.

The main feature of 2660 V2.1 can support VGA, S-VIDEO, YPbPr (external),AV ,TV Signal input.

# 2. FEATURES

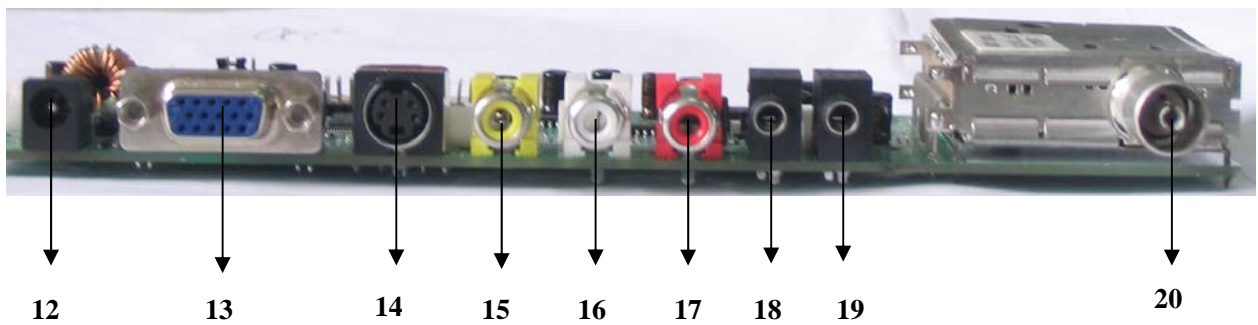
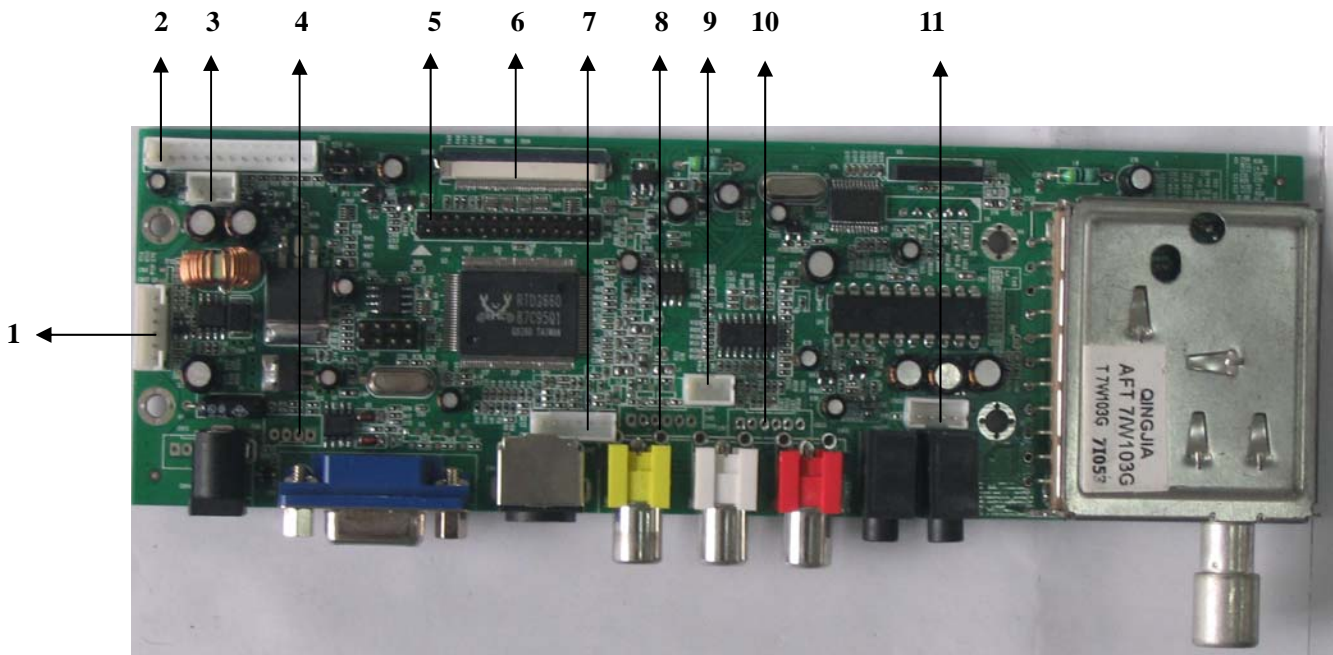
Below you will find the detailed feature

Video Input	TV	VIDEO SYSTEM		PAL、SECAM
		SOUND SYSTEM		BG ,DK ,I
		RECEIVE CHANNEL		125
	S-Video	S-Y:1.0V Vp-p +/-5% S-C:0.3Vp-p +/-5%		
	CVBS	1.0Vp-p +/-5%		
	PC-RGB	Format	Up to 1920*1440@60HZ	
		Color	16bit, 24bit, 32bit	
	HDMI	/		
SCART	/			
Expansion function	Inbuilt DVD	/		
	Inbuilt YPbPr	Option(480i,480p,576i,576p,720p,1080i,1080P)		
Audio input	S-Video/CVBS	Left and right audio input		
	PC-RGB and YUV	Pc: Earphone input		
Power	Power Requirement	12V		
	To panel	3.3V,5V,12V		
	Manage	Low power consumable mode: standby<3W		
OSD Language	English, French ,Spanish , Italian, German, Portuguese, Dutch , Korean (Option )			
Key Functions	CH-,CH+,MENU,VOL-,VOL+,AUTO,ON/OFF (Control by remote control)			
Audio Output	2w (8 Ω)			
Comb Filter	2D	De-interlace	2D	
Weak signal enhancement	/			
Noise reduction	2D			
PIP	NO			
EPG	NO			
NICAM/A2, TELETEXT	NO			
Panel Resolutions	Up to 1920*1440@60HZ			
Terminals	Input	TV Input	1 IEC 75 Ω	
		PC-RGB Input	1D-SUB 15PIN terminal blue color	
		S-Video Input	1S-Video terminal black color	
		CVBS Input	1RCA terminal yellow color	

		YPbPr Input	Expansion function(optional)
		HDMI Input	/
		SCART	/
		CVBS Audio Input	2RCA terminal white color,red color
		YPbPr Audio Input	Expansion function(optional)
		PC-RGB Audio Input	1 earphone terminal black color
Output	To Panel		LVDS 30PIN/2.0 jack
			IL-FHR-F50S
	AUDIO OUT		SPEAKER(optional)
			EARPHONE

### 3. FUNCTION LAYOUTS

#### PICTURE OF LCD CONTROLLER



**INTERFACE FUNCTION DESCRIPTION**

NO	DESCRIPTION	NO	DESCRIPTION
1	INVERTER PORT	11	SPEAKER
2	KEY BOARD+LED	12	DC IN
3	REMOTE RECEIVER	13	VGA IN
4	ATV DEBUGGING	14	S-VIDEO IN
5	LVDS PANEL INTERFACE	15	AV IN
6	TTL INTERFACE	16	AUDIO IN(R)
7	YPBPR INTERFACE	17	AUDIO IN(L)
8	YC&CVBS SIGNAL	18	PC AUDIO IN
9	YPBPR AUDIO	19	EARPHONE
10	AV&PC AUDIO	20	TV SIGNAL IN

**INTERFACE DEFINITION**

**Below please see the symbol and description from left to right pin**

**CN17 (6PIN/2.0) INVERTER INTERFACE**

NO	SYMBOL	DESCRIPTION
1	GND	Ground
2	GND	Ground
3	ADJ	Brightness adjustment
4	BLK	Black-light ON/OFF control
5	12V	+12V DC Power supply
6	12V	+12V DC Power supply

**CN6 (4PIN/2.0) ATV DEBUGGING INTERFACE**

NO	SYMBOL	DESCRIPTION
1	GND	Ground
2	TXD	Transmit data
3	RXD	Receiver data
4	5V	+5V Power supply or IR for DVD

**CN12 (13PIN/2.0) KEY BOARD+ LED**

NO	SYMBOL	DESCRIPTION
1	CH-	CH- Key
2	CH+	CH+ Key
3	MENU	MENU Key
4	PC_AV	PC/AV Key
5	VOL-	VOL- Key
6	VOL+	VOL+ Key
7	GND	Ground
8	LED_G	Green indicator
9	LED_R	Red indicator
10	ON/OFF	ON/OFF key

11	GND	Ground
12	IR_IN	Remote receiver
13	IR_VCC	DC power supply

#### CN9 (2\*15PIN/2.0)LVDS PANEL INTERFACE

NO	SYMBOL	DESCRIPTION
1	VDD	Power for panel
2	VDD	Power for panel
3	VDD	Power for panel
4	GND	Ground
5	GND	FOR PANEL EDID CONTROL SIGNAL
6	GND	Ground
7	AX0-	LVDS ODD 0- Signal
8	AX0+	LVDS ODD 0+ Signal
9	AX1-	LVDS ODD 1- Signal
10	AX1+	LVDS ODD 1+ Signal
11	AX2-	LVDS ODD 2- Signal
12	AX2+	LVDS ODD 2+ Signal
13	GND	Ground
14	GND	Ground
15	ACK-	LVDS ODD Clock- Signal
16	ACK+	LVDS ODD Clock+ Signal
17	AX3-	LVDS ODD 3- Signal
18	AX3+	LVDS ODD 3+ Signal
19	BX0-	LVDS EVEN 0- Signal
20	BX0+	LVDS EVEN 0+ Signal
21	BX1-	LVDS EVEN 1- Signal
22	BX1+	LVDS EVEN 1+ Signal
23	BX2-	LVDS EVEN 2- Signal
24	BX2+	LVDS EVEN 2+ Signal
25	GND	Ground
26	GND	Ground
27	BCK-	LVDS EVEN Clock- Signal
28	BCK+	LVDS EVEN Clock+ Signal
29	BX3-	LVDS EVEN 3- Signal
30	BX3+	LVDS EVEN 3+ Signal

#### CN5 (6PIN/2.0) YC SIGNAL

NO	SYMBOL	DESCRIPTION
1	GND	Ground
2	S_C	C signal
3	S_Y	Y signal
4	GND	Ground

5	CVBS	CVBS signal
6	GND	Ground

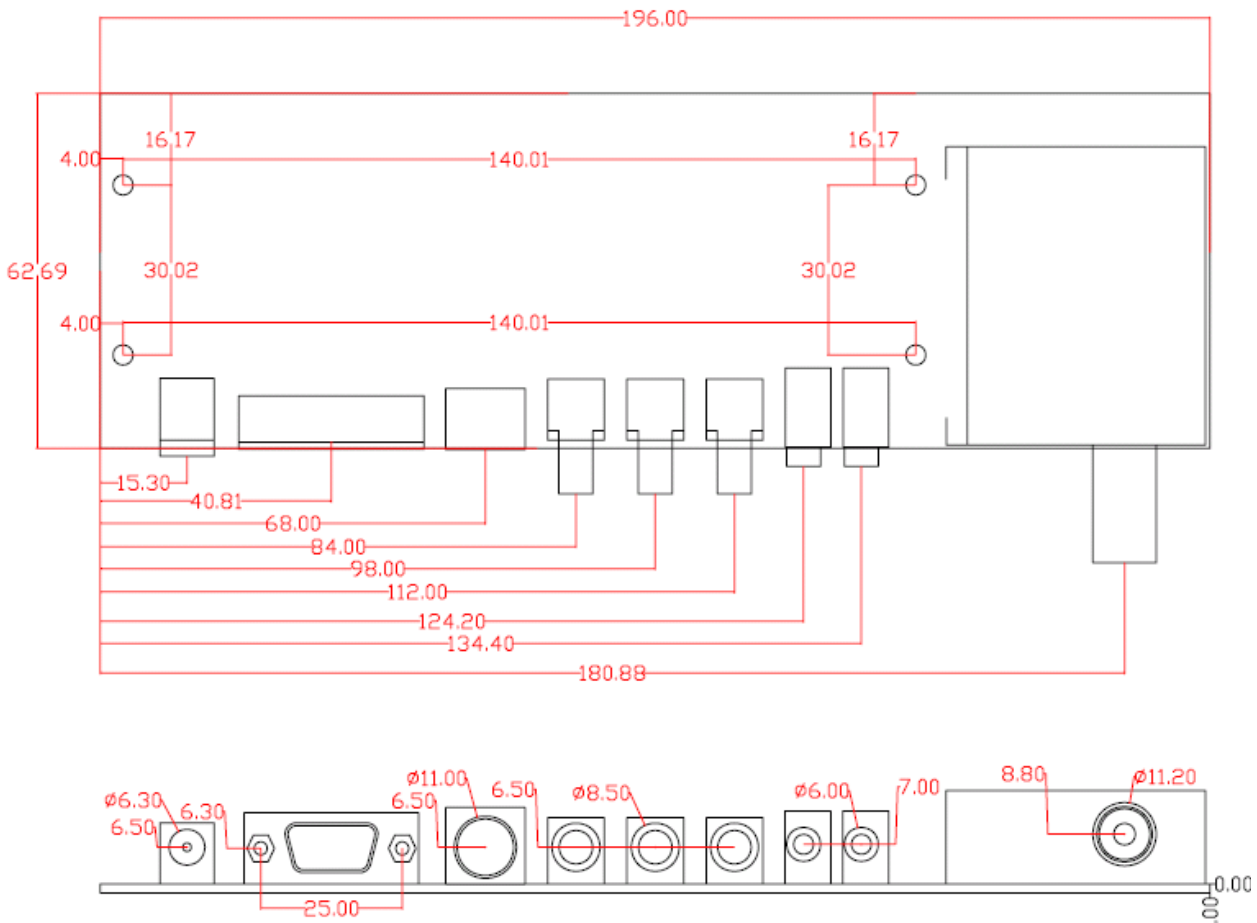
#### CN5 (6PIN/2.0) PC &AV AUDIO

NO	SYMBOL	DESCRIPTION
1	AV_R	AV audio (right)
2	GND	Ground
3	AV_L	AV audio (left)
4	PC_R	PC audio (right)
5	GND	Ground
6	PC_L	PC audio (left)

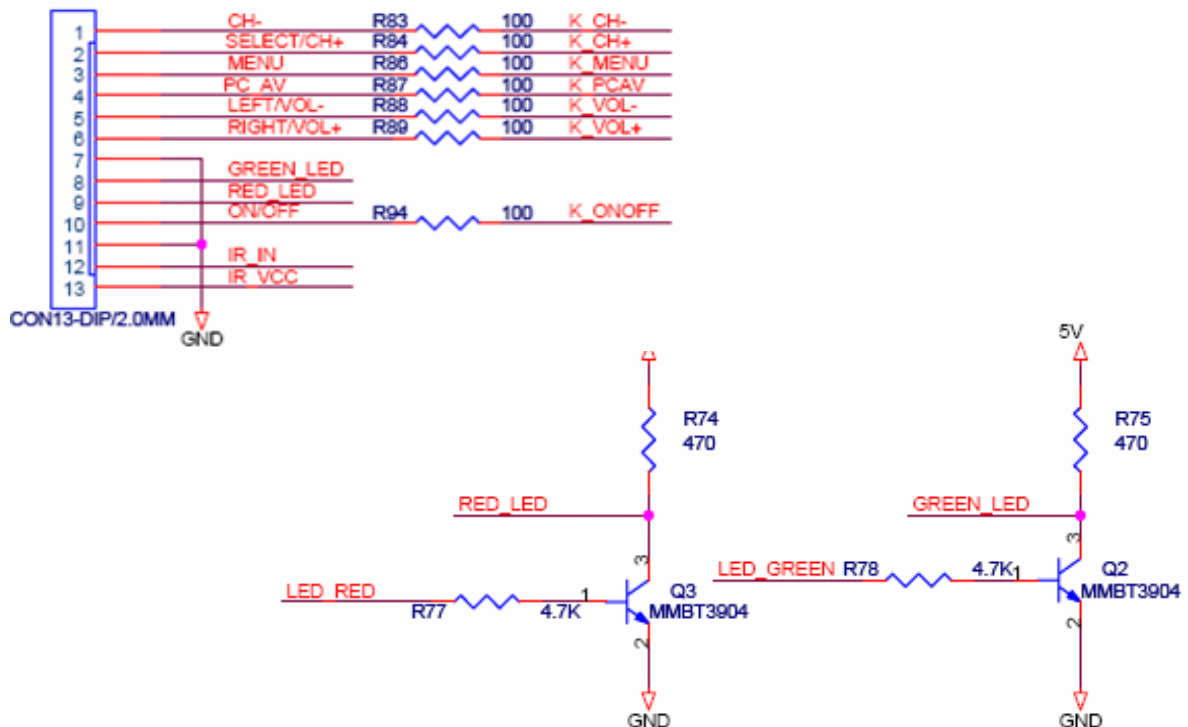
#### CN6 (6PIN/2.0) YPBPR

NO	SYMBOL	DESCRIPTION
1	GND	Ground
2	HD_Y	Y signal
3	GND	Ground
4	GH_PB	PB signal
5	GND	Ground
6	HD_PR	PR signal

## 4. CONTROLLER DIMENSIONS

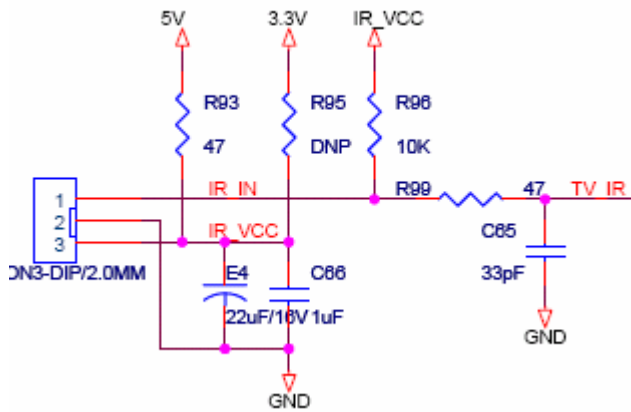


## 5. KEY BOARD SYSTEM SCHEMATIC





## 6. IR BOARD SYSTEM SCHEMATIC



## 7. OPERATION REQUIREMENT

Do not pressed and distorted.

Keep away from static and water.

**Relative humidity :≤80%**

**Storage temperature:-10~+60℃**

**Operation temperature:0~+40℃**